

# AC12 COMMS INTERFACE



## OVERVIEW

The AC12 allows Meridian products which use Speakerlink connections to be combined with products with non-Speakerlink connection-types. The Speakerlink socket on the AC12 is broken-out to the following:

- Digital audio on an RCA phono socket
- RS232 on a 9-pin D-Sub socket
- Meridian “Master Comms” on a 240° 5-pin DIN socket and a BNC socket (in parallel)
- Meridian “Slave Comms” on 180° 5-pin DIN socket and a BNC socket (in parallel)

The AC12 is purely passive in operation so all conversion is bi-directional. This allows the AC12 to be used in many differing applications. As it is passive, the AC12 does not require any power-supply or mains connection.

## PRODUCT HIGHLIGHTS

The AC12 has multiple installation applications. For example:

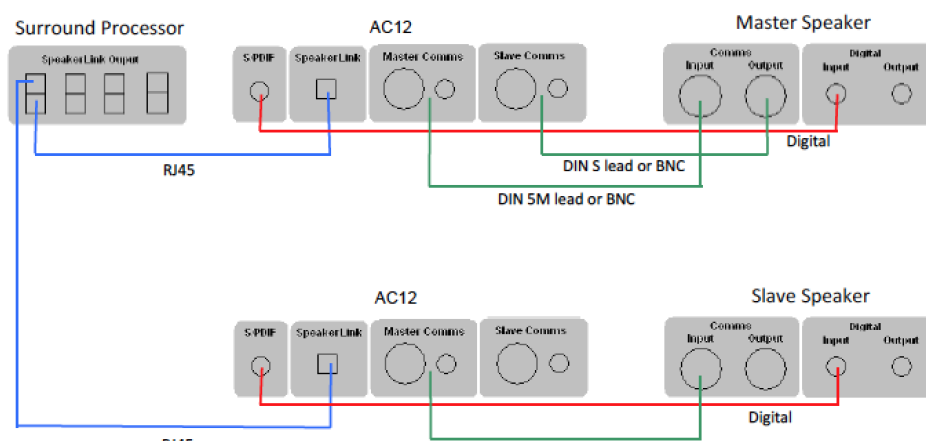
- Connect a recent Meridian source with a SpeakerLink output to a pair of Meridian Digital loudspeakers that do not have SpeakerLink.
- Connect a Meridian source that does not have a SpeakerLink output to a pair of Meridian Digital loudspeakers with SpeakerLink.
- Connect a non-Meridian source, such as a PC, to a pair of Meridian Digital loudspeakers with SpeakerLink.

## SPEAKERLINK

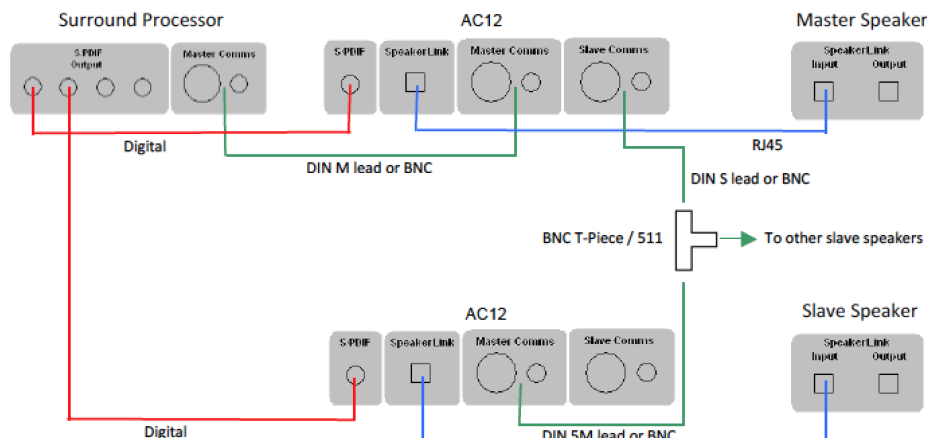
Meridian's SpeakerLink uses an "Ethernet style" cable that delivers pristine digital sound and control down a single cable between Meridian components. The result is simple, unobtrusive, and cost-effective cables that are easy to install.

## TYPICAL APPLICATIONS

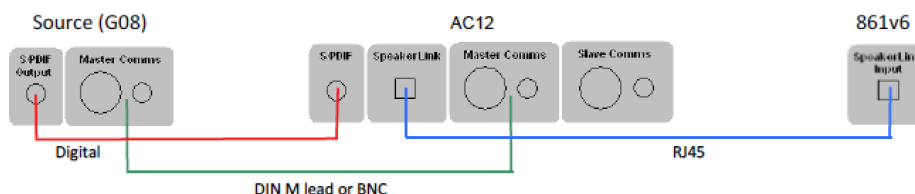
### SPEAKERLINK TO LEGACY SPEAKERS



### LEGACY CONTROLLER TO SPEAKERLINK



### NON-SPEAKERLINK SOURCE TO SPEAKERLINK INPUT



# CONSTRUCTION

The case is manufactured in high grade steel and is finished in black with white labelling.

- Ac12 can be shelf or rack mounted near the legacy component.



REAR PANEL LAYOUT

# SPECIFICATION

## INPUTS/ OUTPUTS

- 1 x RS232 control signal (DB9)
- 1 x SpeakerLink (RJ45)
- 1 x Digital S/PDIF coax (phono)
- 1 x Master Comms" on a 240° 5-pin DIN socket
- 1 x Master Comms" on BNC socket
- 1 x Meridian "Slave Comms" on 180° 5-pin DIN socket
- 1x Meridian "Slave Comms" on BNC socket

## DIMENSIONS/WEIGHT

- HEIGHT: 35mm [1.38in]
- WIDTH: 170mm [6.7in]
- DEPTH: 50mm [2in]
- WEIGHT: 0.35 kg (12.4 oz)